

# Kessler Single Speed Transfer Cases



Productive due to highly efficient manufacturing  
Reliable design thanks to years of experience  
Sophisticated methods in development and research  
Flexible solutions with a building block system

**KESSLER+CO**

# Kessler Single Speed Transfer Cases

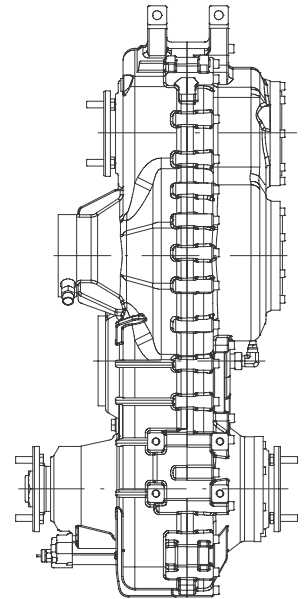
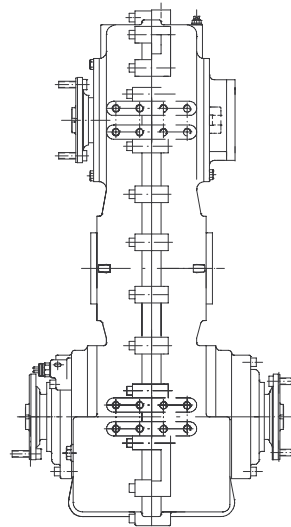
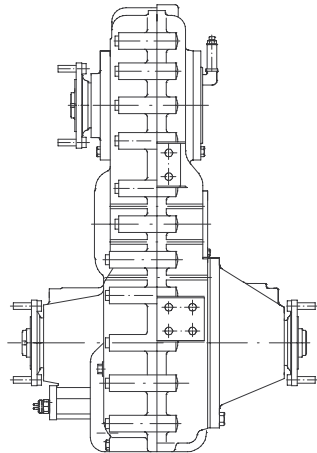
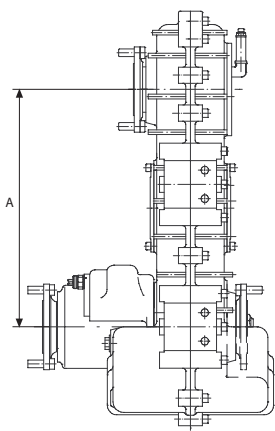


W1600

W2500

W2600

W3750



	Ratio	Max. Input Torque	Max. Input Speed	Torque Distribution	Diff. Lock Available	Oil Pump Available	Shaft Distance A
W1600	1,0	11800 lb-ft	2400 rpm	rigid, alternatively disconnectable	-	no	19,7 in
W2500	1,0 (1,033)	18400 lb-ft	2400 (3000) rpm	1:2 (1:1)	yes	no	19,7 in
W2600	0,971	18400 lb-ft	2400 rpm	1:2	yes	yes	24,7 in
W3750	0,8	29500 lb-ft	2500 rpm	1:2 (1:1)	yes	yes	29,5 in

( ) = not standard

Kessler + Co GmbH & Co. KG  
 P.O. Box 60  
 73451 Abtsgmünd  
 Germany



Tel +49 (0) 73 66/81-0  
 Fax +49 (0) 73 66/81-69  
 info@kessler-axles.com  
 www.kessler-axles.com